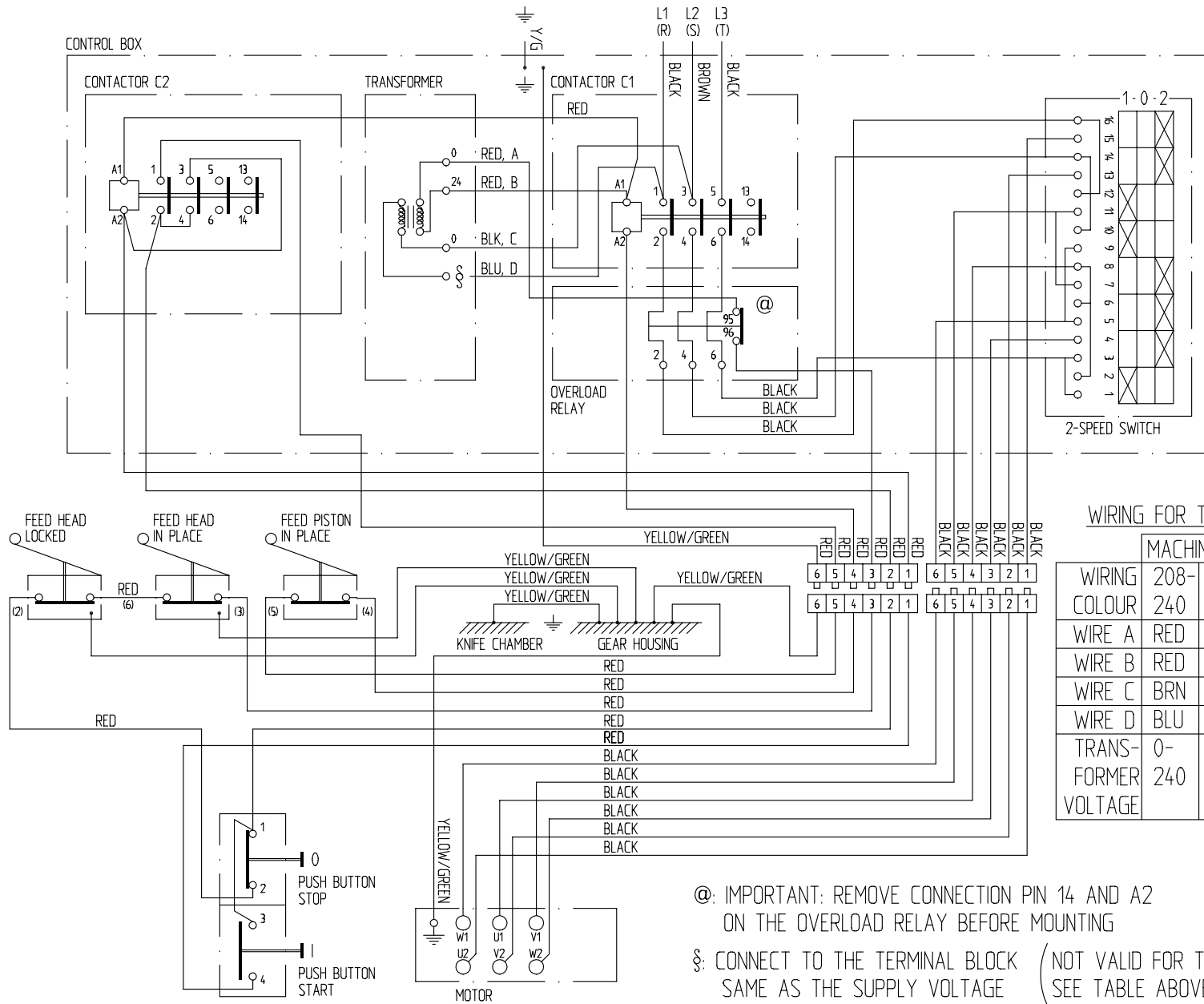


HVALLEDE

RG-400 ELECTRICAL DIAGRAM
208-460 3 50/60 W/O NEUTRAL WIRE

Dwn by JEN Rev/date 981118
Appr. JSt Date 940901
Drawing no. 3163-3



WIRING FOR TOROID TRANSFORMERS

WIRING COLOUR	MACHINE VOLTAGE				
	208-	380	400	415	440 (460)
WIRE A	RED	RED	RED	RED	RED
WIRE B	RED	RED	RED	RED	RED
WIRE C	BRN	BLK	BLK	BLK	BLK
WIRE D	BLU	RED	BLU	RED	BLU
TRANSFORMER VOLTAGE	0-240	0-380-400	0-380-400	0-415-440	0-415-440

ⓐ: IMPORTANT: REMOVE CONNECTION PIN 14 AND A2 ON THE OVERLOAD RELAY BEFORE MOUNTING

Ⓢ: CONNECT TO THE TERMINAL BLOCK (NOT VALID FOR TOROID TRANSFORMERS) SAME AS THE SUPPLY VOLTAGE (SEE TABLE ABOVE)